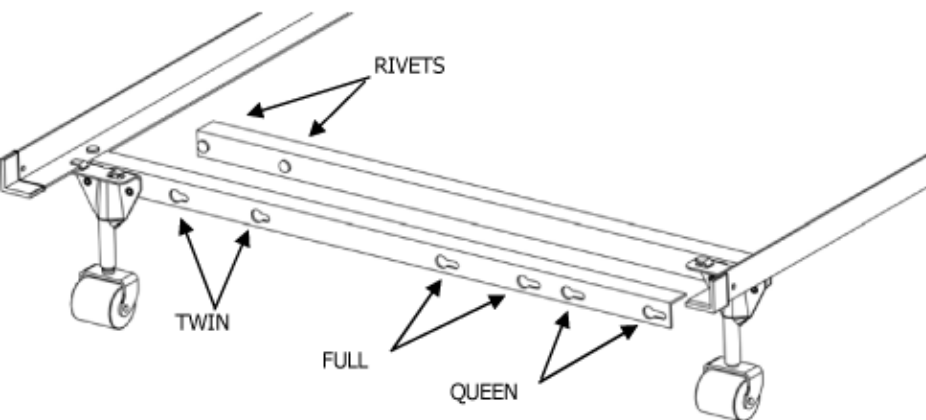


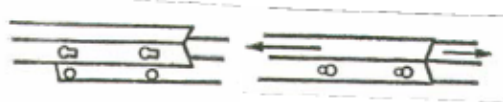
ASSEMBLY INSTRUCTIONS

I-495-SS6 INSTALOCK BED FRAME TWIN - FULL - QUEEN

1. Swing out the cross rails.
2. Insert plastic sockets into legs.
3. Insert casters into plastic sockets.
4. Slide the end caps over the ends of the rails.
5. Select the pair of keyholes for the proper size bedding.

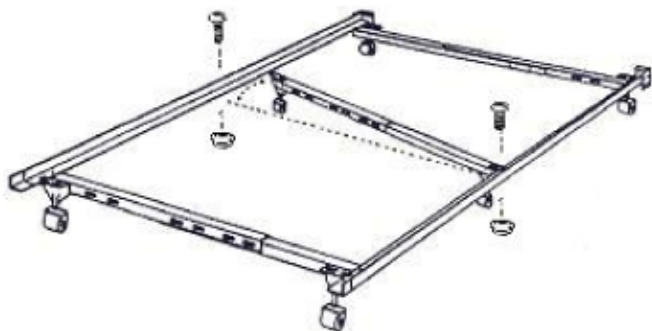


6. Insert rivets into the keyholes, and slide the cross rails away from each other so that the rivets lock into the keyholes.



7. Assemble center cross support the same as steps 5 and 6, and slide it between the side rails.

The side rail angle iron fits between the clip and the cross support.



8. Secure the center rail with the nuts and bolts provided.